

NOTE:
 All dimensions need to be checked prior to commencement of any works and/or preparation of any shop drawings. Sizes and dimensions to any structural elements are indicative only. See structural engineers drawings for actual sizes and dimensions. Sizes and dimensions to any service elements are indicative only. See service engineers drawings for actual sizes and dimensions. This drawing to be read in conjunction with all relevant Architects drawing specifications and other Consultants information. Copyright of the design and content of drawing hereon retains to DesignBureau Ltd only. Do not scale from this drawing.

CLIENT: COLOR GROUP

PROJECT: OFFICE PROJECT

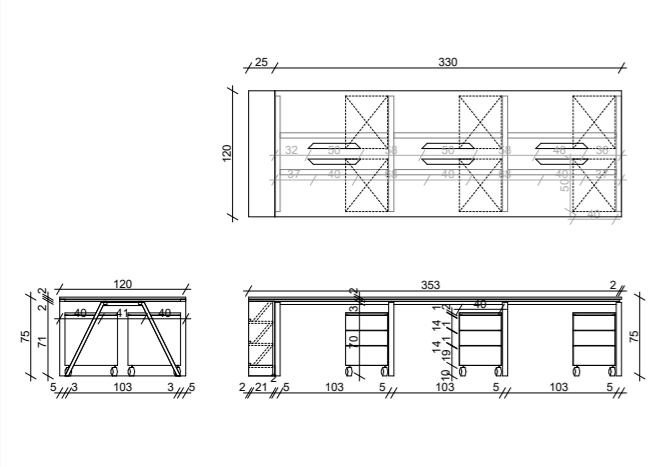
PROJECT TITLE: HEAD OFFICE

SCALE: 1:100

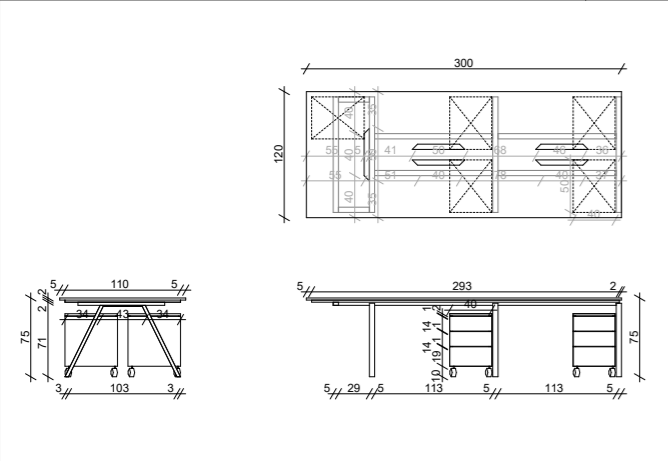
DRAWING TITLE: **FL01**



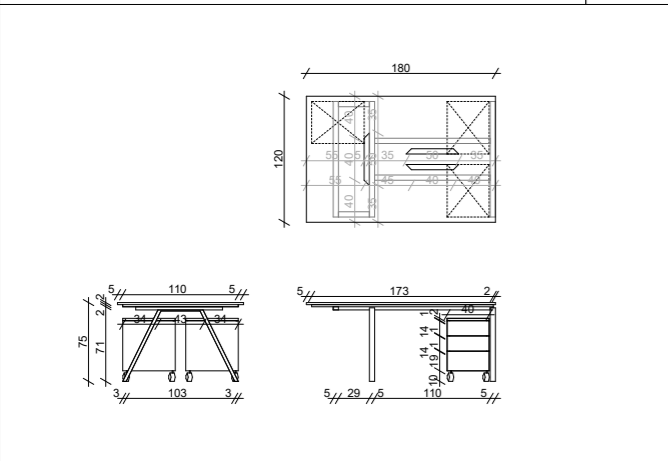
TA.01 საშენობო მანქანა - 6 ადგილიანი 2 ცალი
ბუნებრივი 12 ცალი



TA.02 საშენობო მანქანა - 5 ადგილიანი 1 ცალი
ბუნებრივი 5 ცალი



TA.03 საშენობო მანქანა - 3 ადგილიანი 1 ცალი
ბუნებრივი 3 ცალი



NOTE:
All dimensions need to be checked prior to commencement of any works and/or preparation of any shop drawings. Sizes and dimensions to any structural elements are indicative only. See structural engineers drawings for actual sizes and dimensions. Sizes and dimensions to any service elements are indicative only. See service engineers drawings for actual sizes and dimensions. This drawing to be read in conjunction with all relevant Architects drawing specifications and other Consultants information. Copyright of the design and content of drawing hereon retains to DesignBureau Ltd only. Do not scale from this drawing.

CLIENT:

PROJECT:

PROJECT TITLE:

SCALE:

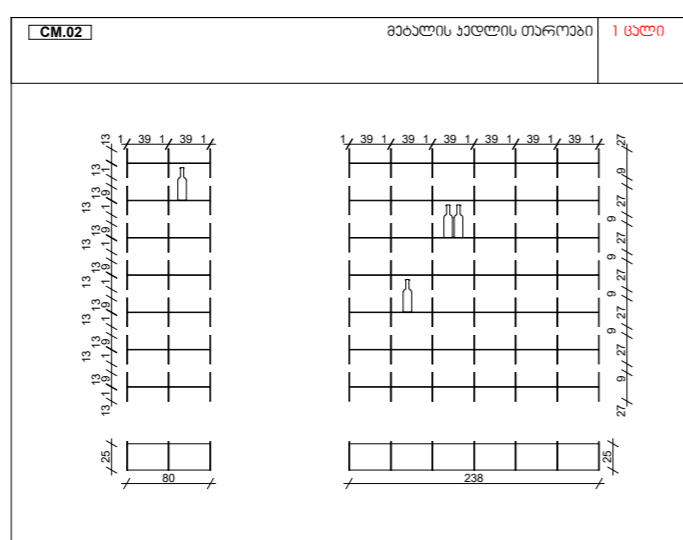
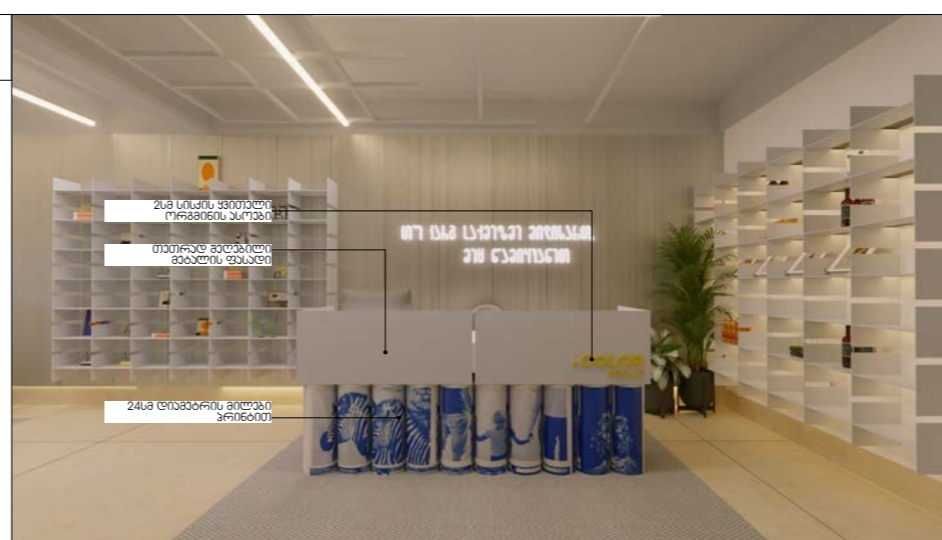
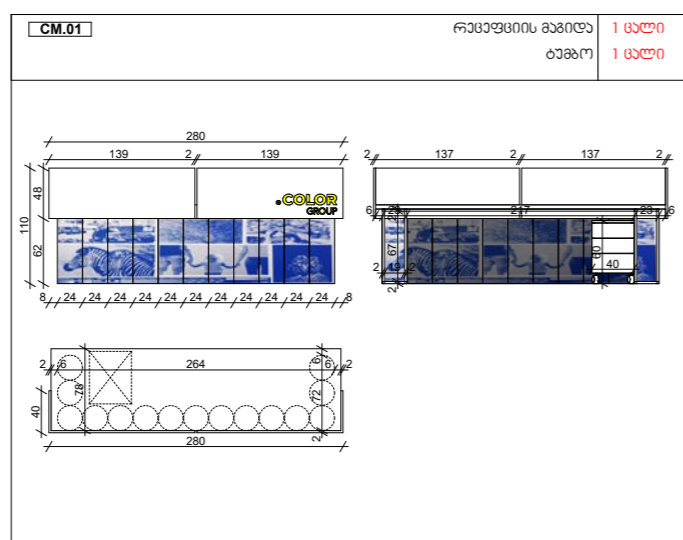
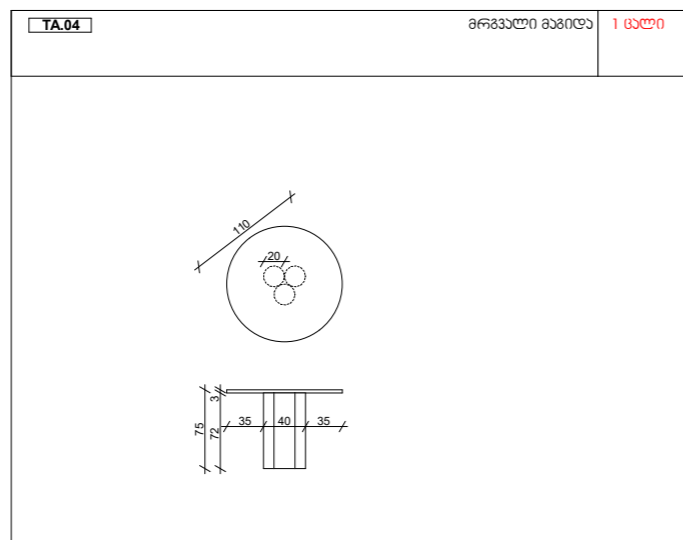
DRAWING TITLE:



<p>TA.04</p> <p>სამუშაო მაგიდა - 1 პლაზმონიანი ტაბლეტი</p> <p>2 ცალი 2 ცალი</p>	
--	--

NOTE:
 All dimensions need to be checked prior to commencement of any works and/or preparation of any shop drawings. Sizes and dimensions to any structural elements are indicative only. See structural engineers drawings for actual sizes and dimensions. Sizes and dimensions to any service elements are indicative only. See service engineers drawings for actual sizes and dimensions. This drawing to be read in conjunction with all relevant Architects drawing specifications and other Consultants information. Copyright of the design and content of drawing hereon retains to DesignBureau Ltd only. Do not scale from this drawing.

CLIENT:
PROJECT:
PROJECT TITLE:
SCALE:
DRAWING TITLE:



NOTE:
All dimensions need to be checked prior to commencement of any works and/or preparation of any shop drawings. Sizes and dimensions to any structural elements are indicative only. See structural engineers drawings for actual sizes and dimensions. Sizes and dimensions to any service elements are indicative only. See service engineers drawings for actual sizes and dimensions. This drawing to be read in conjunction with all relevant Architects drawing specifications and other Consultants information. Copyright of the design and content of drawing hereon retains to DesignBureau Ltd only. Do not scale from this drawing.

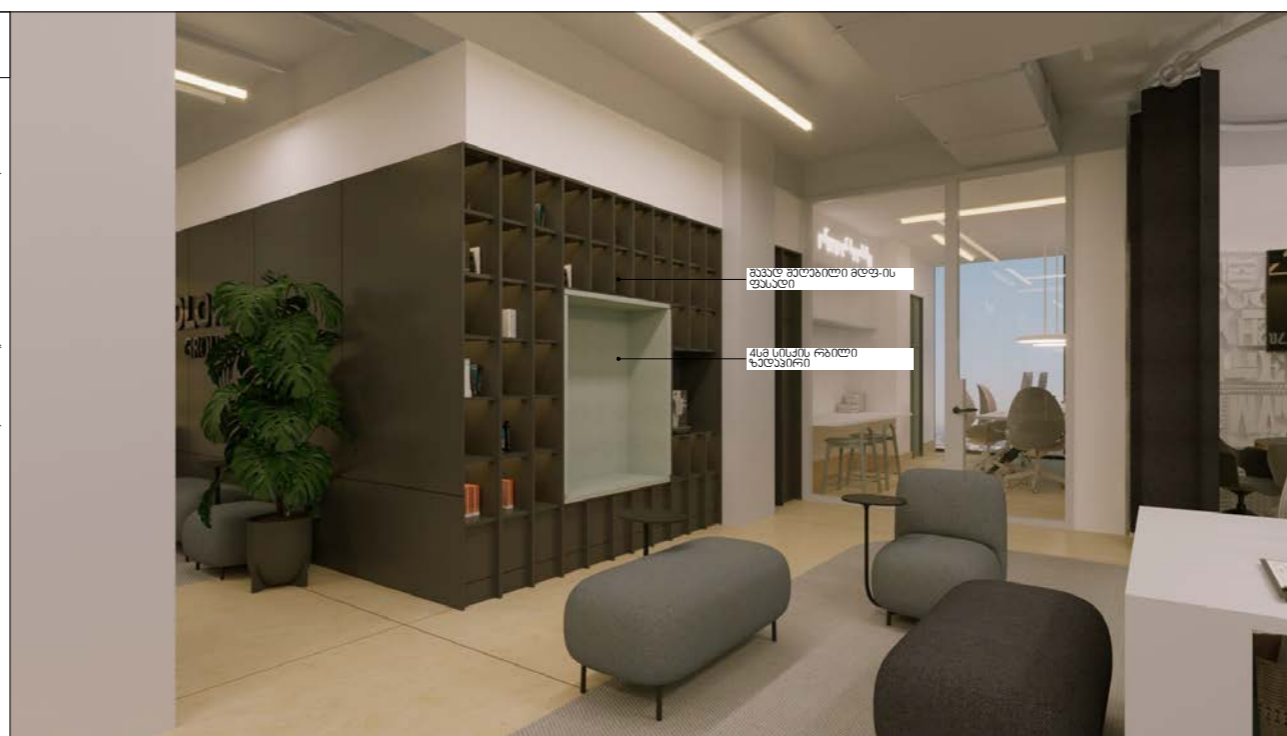
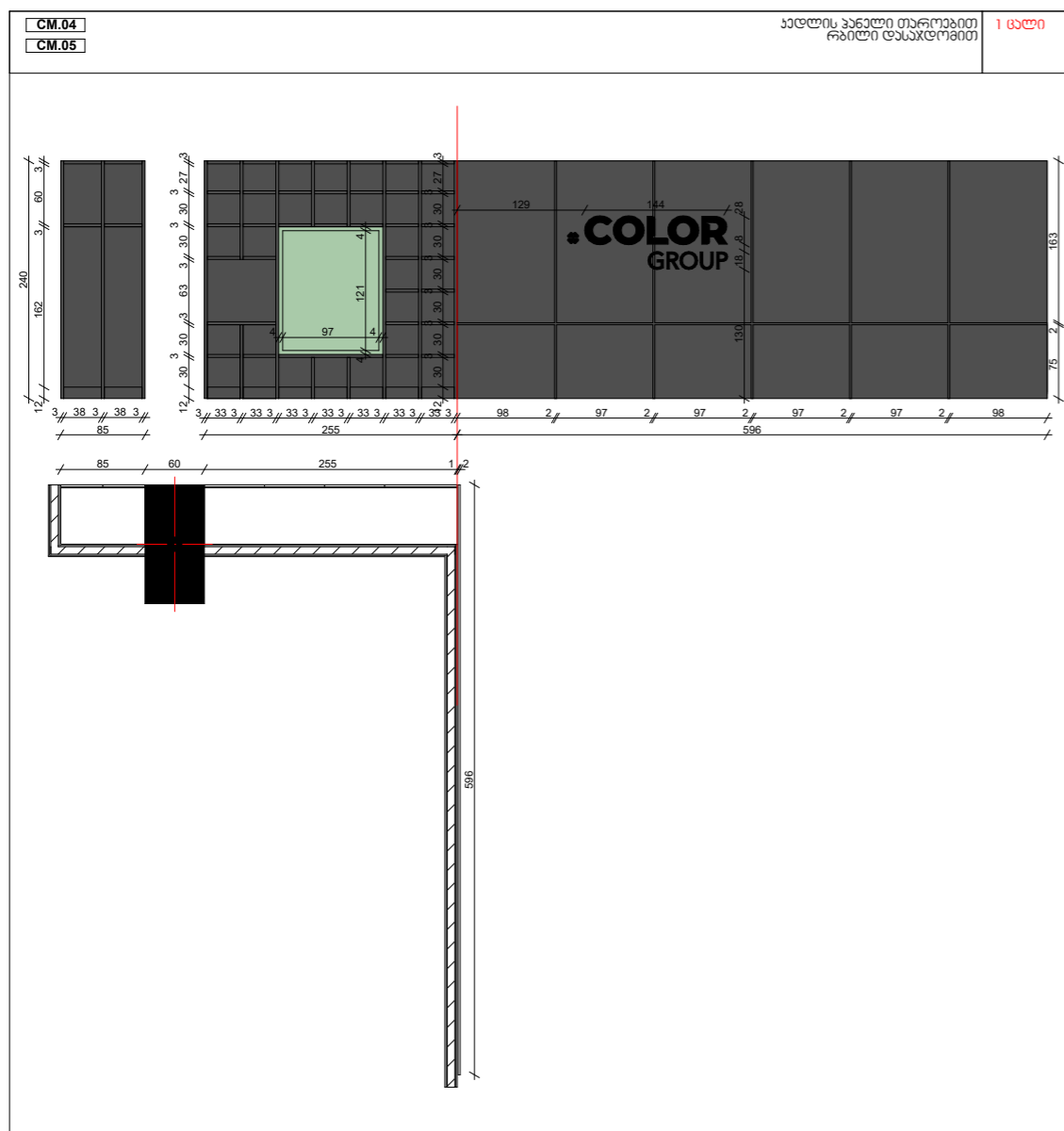
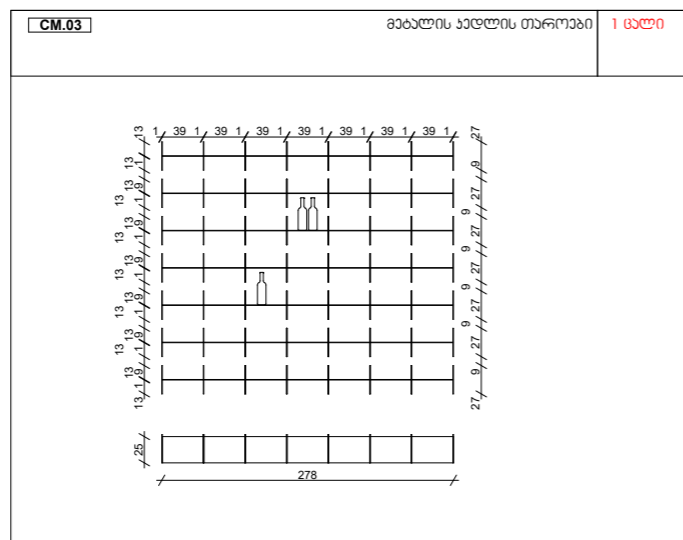
CLIENT:

PROJECT:

PROJECT TITLE:

SCALE:

DRAWING TITLE:



NOTE:
 All dimensions need to be checked prior to commencement of any works and/or preparation of any shop drawings. Sizes and dimensions to any structural elements are indicative only. See structural engineers drawings for actual sizes and dimensions. Sizes and dimensions to any service elements are indicative only. See service engineers drawings for actual sizes and dimensions. This drawing to be read in conjunction with all relevant Architects drawing specifications and other Consultants information. Copyright of the design and content of drawing hereon retains to DesignBureau Ltd only. Do not scale from this drawing.

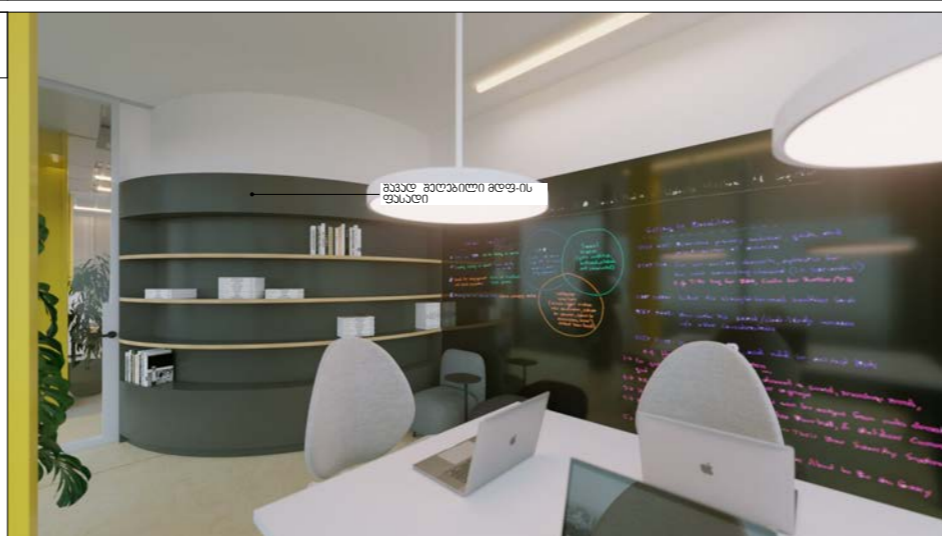
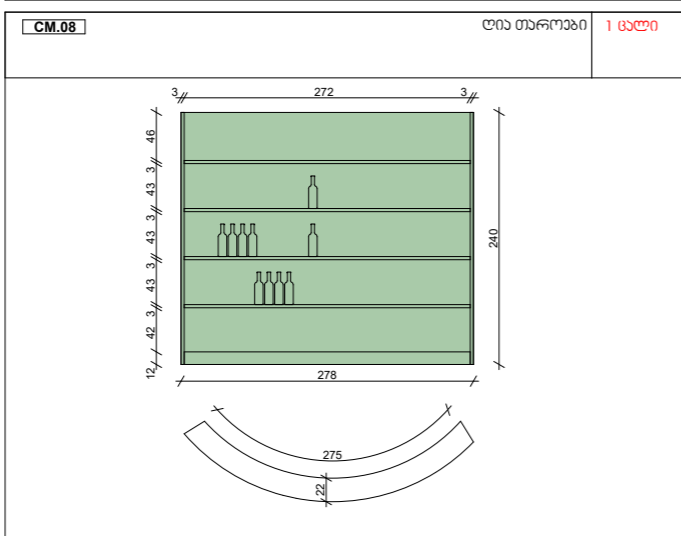
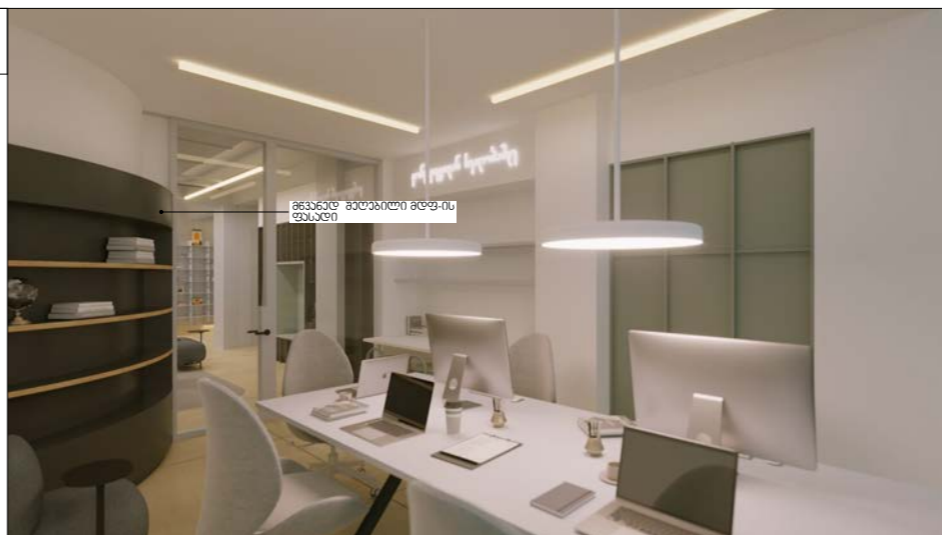
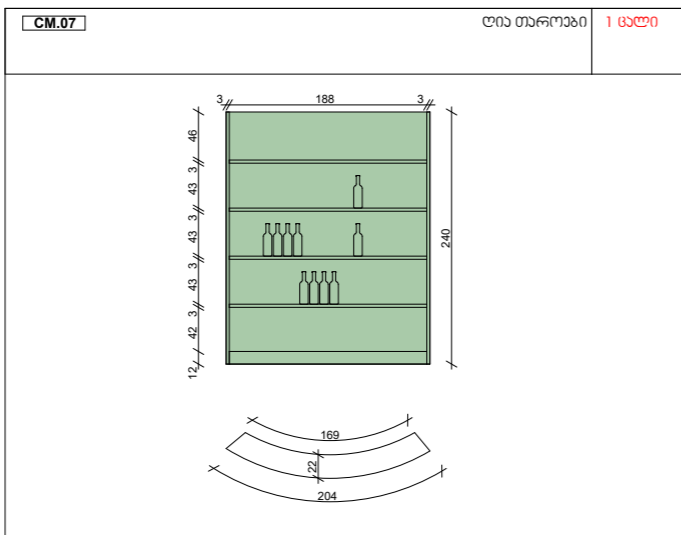
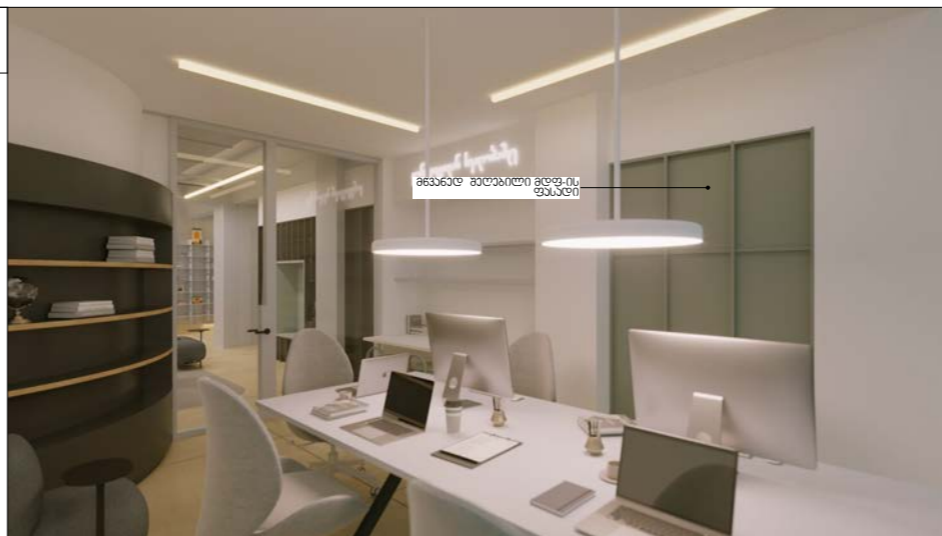
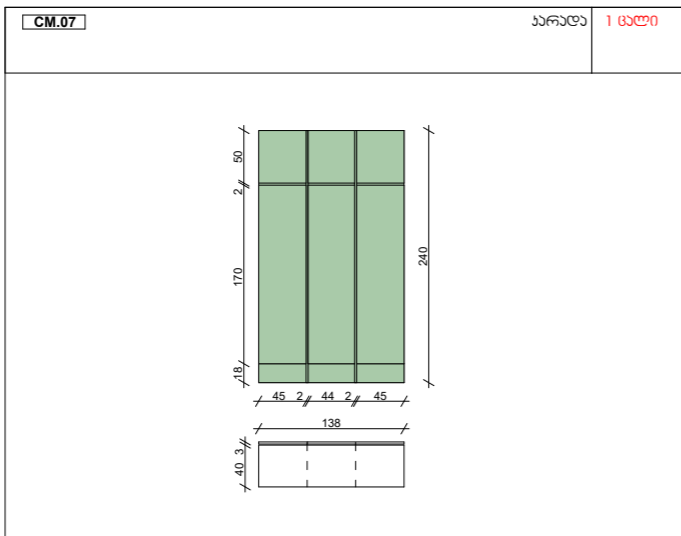
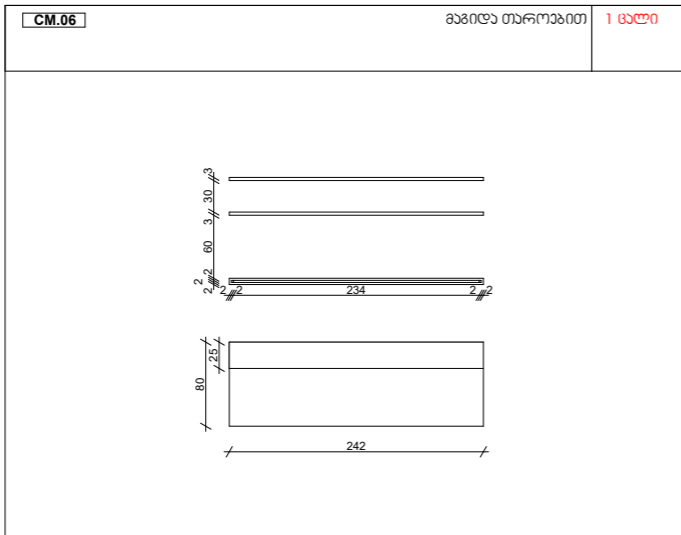
CLIENT:

PROJECT:

PROJECT TITLE:

SCALE:

DRAWING TITLE:



NOTE:
 All dimensions need to be checked prior to commencement of any works and/or preparation of any shop drawings. Sizes and dimensions to any structural elements are indicative only. See structural engineers drawings for actual sizes and dimensions. Sizes and dimensions to any service elements are indicative only. See service engineers drawings for actual sizes and dimensions. This drawing to be read in conjunction with all relevant Architects drawing specifications and other Consultants information. Copyright of the design and content of drawing hereon retains to DesignBureau Ltd only. Do not scale from this drawing.

CLIENT:

PROJECT:

PROJECT TITLE:

SCALE:

DRAWING TITLE:



<p>SO.01 რბილი ფსახდომი ლითონის მანძილი 7 ცალი</p>	
<p>SO.02 რბილი ფსახდომი ლითონის პარკაბა 6 ცალი</p>	
<p>SO.03 რბილი ფსახდომი ლითონის პარკაბა 4 ცალი</p>	

NOTE:
 All dimensions need to be checked prior to commencement of any works and/or preparation of any shop drawings. Sizes and dimensions to any structural elements are indicative only. See structural engineers drawings for actual sizes and dimensions. Sizes and dimensions to any service elements are indicative only. See service engineers drawings for actual sizes and dimensions. This drawing to be read in conjunction with all relevant Architects drawing specifications and other Consultants information. Copyright of the design and content of drawing hereon retains to DesignBureau Ltd only. Do not scale from this drawing.

CLIENT:

PROJECT:

PROJECT TITLE:

SCALE:

DRAWING TITLE: